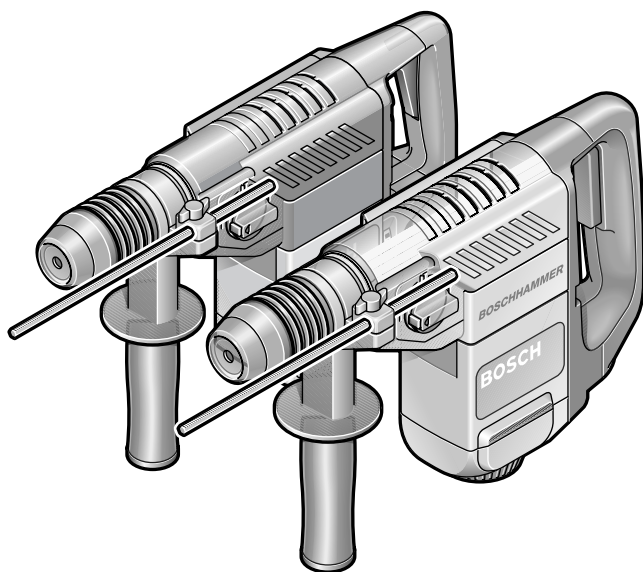


GBH 4 DFE GBH 4 DSC PROFESSIONAL

BOSCH
Ideas that work.

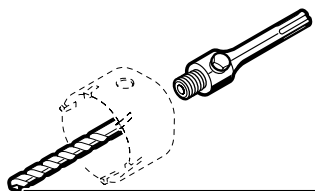
* Des idées en action.

Bedienungsanleitung
Operating instructions
Instructions d'emploi
Instrucciones de servicio
Manual de instruções
Istruzioni d'uso
Gebruiksaanwijzing
Betjeningsvejledning
Bruksanvisning
Brukerveiledningen
Käyttöohje
Οδηγία χειρισμού
Kullanım kılavuzu





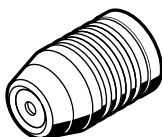
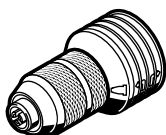
Ø 40 mm 2 608 550 074
Ø 50 mm 2 608 550 075
Ø 68 mm 2 608 550 076
Ø 82 mm 2 608 550 077



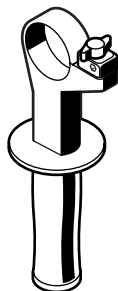
L = 105 mm 2 608 550 057
L = 220 mm 2 608 598 110

Ø 8 mm 2 608 596 157

2 607 001 316



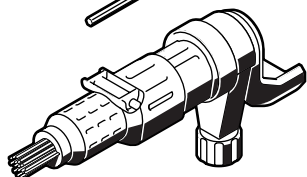
SDS-plus:
2 608 572 059



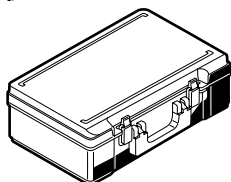
2 602 025 077



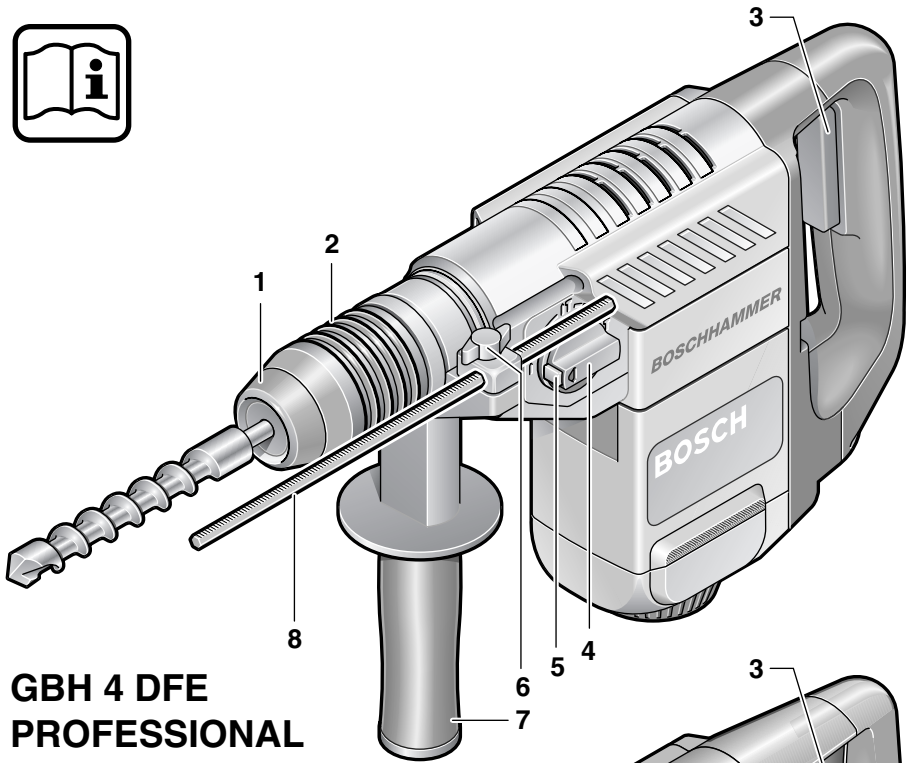
1 613 001 003



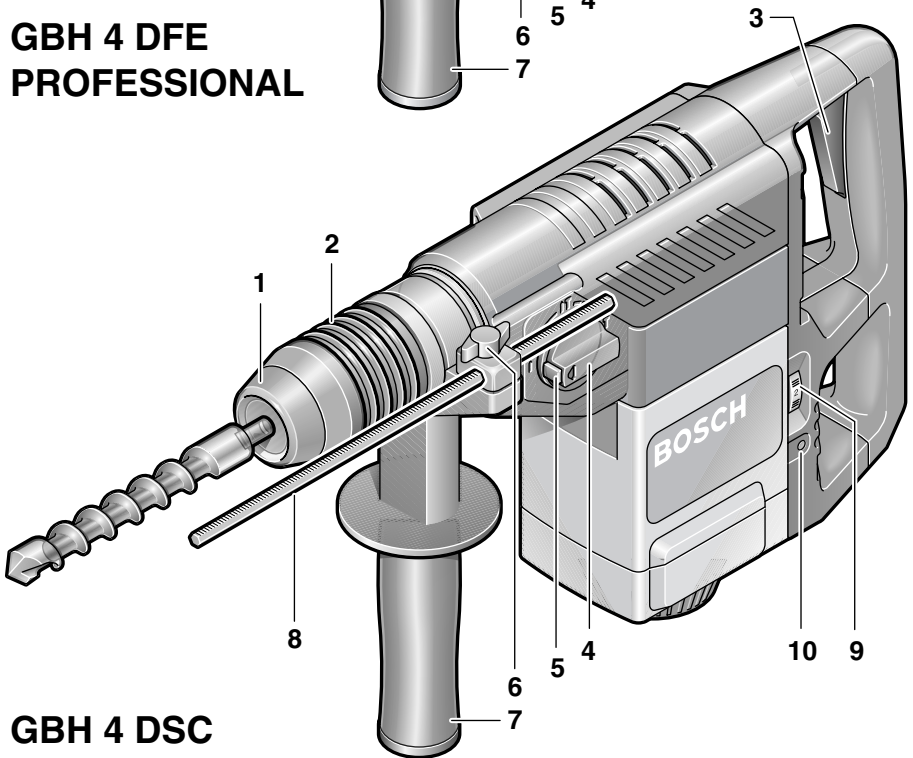
GBH 4 DSC:
2 607 018 299



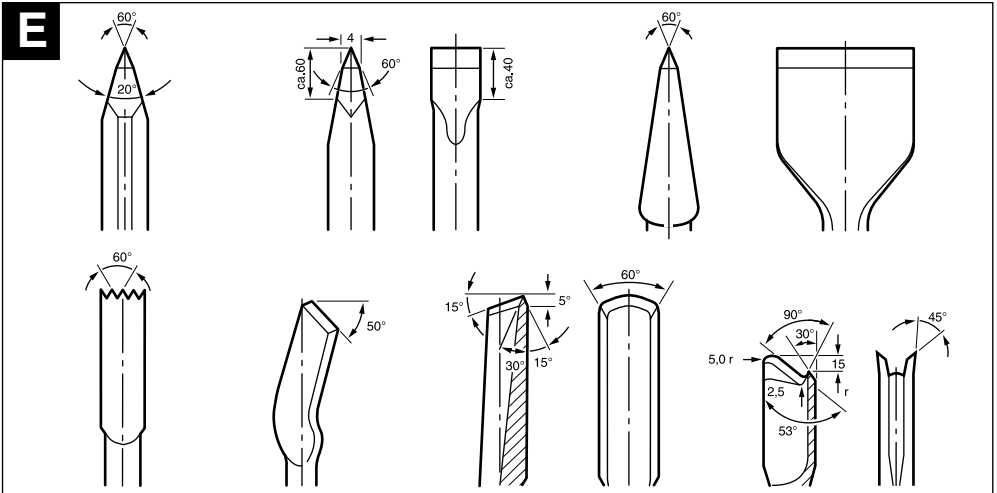
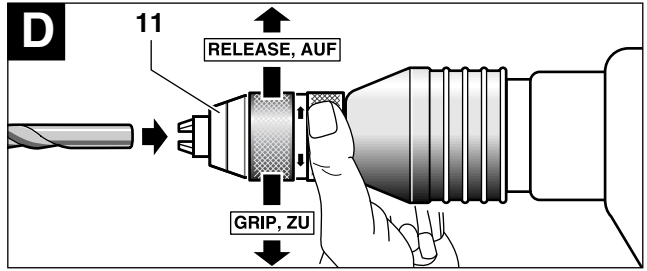
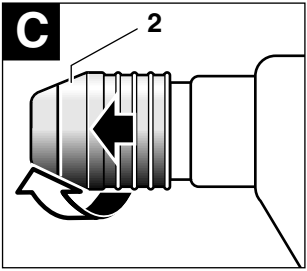
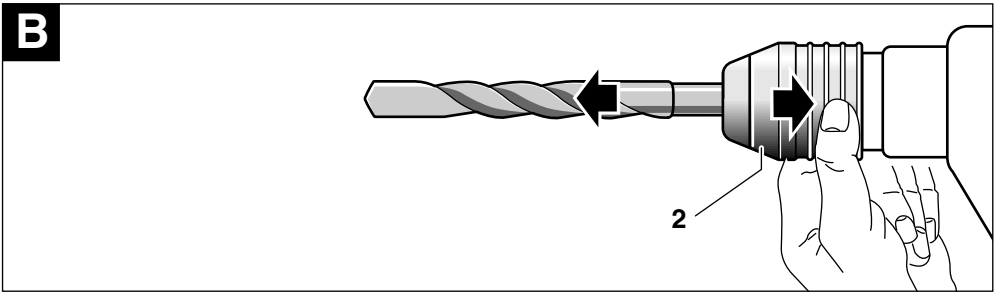
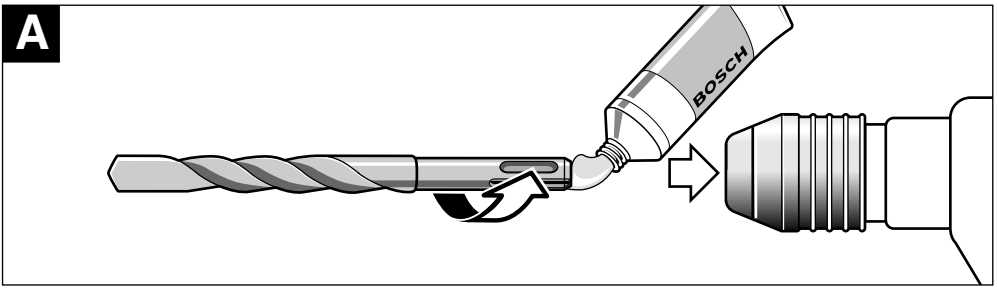
GBH 4 DFE:
2 605 438 389
GBH 4 DSC:
2 605 438 376



**GBH 4 DFE
PROFESSIONAL**



**GBH 4 DSC
PROFESSIONAL**



Tool Specifications

Rotary Hammer		GBH 4 DFE PROFESSIONAL	GBH 4 DSC PROFESSIONAL
Article number		0 611 236 7..	0 611 222 7..
Rated input power	[W]	750	750
Rated speed	[rpm]	0–650	280–650
Impact rate	[bpm]	0–3 900	1 650–3 900
Impact energy per stroke	[J]	3.5	1–3.5
Chisel positions		36	36
Tool holder		SDS-plus	SDS-plus
Spindle collar diameter	[mm]	Ø 51	Ø 51
Maximum drilling Ø			
Concrete (twist drill bit)	[mm]	4–30	4–30
Brickwork (core bit)	[mm]	80	80
Wood	[mm]	30	30
Steel	[mm]	13	13
Weight according to EPTA-Procedure 01/2003	[kg]	4.1	4.4
Protection class		□ / II	□ / II

Please observe the article number on the type plate of your machine. The trade names of the individual machines may vary.
The values given are valid for nominal voltages [U] of 230/240 V. For lower voltages and models for specific countries, these values can vary.

Machine Elements

The numbering of the machine elements refers to the illustration of the machine on the graphics page.

While reading the operating instructions, unfold the graphics page for the machine and leave it open.

- 1 Dust protection cap
- 2 Locking sleeve
- 3 On/Off switch
- 4 Mode selector switch
- 5 Release button
- 6 Wing bolt for depth stop adjustment
- 7 Auxiliary handle
- 8 Depth stop
- 9 Thumbwheel for speed preselection (GBH 4 DSC)
- 10 Service indicator (GBH 4 DSC)
- 11 Keyless chuck*

* Not all of the accessories illustrated or described are included as standard delivery.

Noise/Vibration Information

Measured values determined according to EN 60 745.

Typically the A-weighted noise levels of the machine are: sound pressure level 89 dB (A); sound power level 100 dB (A). Measurement uncertainty K = 3 dB.

Wear hearing protection!

The typically weighted acceleration is 11 m/s².

Intended Use

The machine is intended for hammer drilling in concrete, brick and stone as well as for light chiselling work. It is also suitable for drilling without impact in wood, metal, ceramic and plastic.



For Your Safety

Read all instructions. Failure to follow all instructions listed below may result in electric shock, fire and/or serious injury.

SAVE THESE INSTRUCTIONS.

- **When working with the machine, always hold it firmly with both hands and provide for a secure stance.** The power tool is guided more secure with both hands.
- **Secure the workpiece.** A workpiece clamped with clamping devices or in a vice is held more securely than by hand.
- **Do not work materials containing asbestos.** Asbestos is considered carcinogenic.
- **Always wait until the machine has come to a complete stop before placing it down.** The tool insert can jam and lead to loss of control over the power tool.
- **Do not use a machine with a damaged mains cable. Do not touch the damaged cable and pull the mains plug when the cable is damaged while working.** Damaged cables increase the risk of an electric shock.
- **Connect machines that are used in the open via a residual current device (RCD).**
- **Wear hearing protection.** Exposure to noise can cause hearing loss.
- **Always use the auxiliary handle supplied with the machine.** Loss of control can cause personal injury.
- **Use suitable detectors to determine if utility lines are hidden in the work area or call the local utility company for assistance.** Contact with electric lines can lead to fire and electric shock. Damaging a gas line can lead to explosion. Penetrating a water line causes property damage or may cause an electric shock.
- **Hold the power tool only by the insulated handles, when performing an operation where the tool insert can run into hidden wiring or its own mains cable.** Contact with a “live” wire can make metal parts of the power tool “live” and lead to an electric shock.

Changing the Tool

- Before any work on the machine itself, pull the mains plug.

With the SDS-plus tool holder, simpler and easier tool changing is possible without additional aids.

- 👉 **Grease the shank end of the tool regularly.**

The dust protection cap **1** largely prevents the entry of drilling dust during operation. When inserting the tool, take care that the dust protection cap **1** is not damaged.

A damaged dust protection cap should be changed immediately. We recommend having this carried out by an after-sales service.

- 👉 As a requirement of the system, the SDS-plus tool must rotate freely. At no-load speed, this leads to a certain amount of radial run-out.

This does not affect the accuracy of the drill hole, as the bit is automatically centred during drilling.

Inserting (see figure **A**)

Clean and grease the shank end of the tool.

Insert the tool in a twisting manner into the tool holder until it locks. Check if it has locked by pulling the tool.

Removing (see figure **B**)

Push back the locking sleeve **2** of the tool holder and remove the tool.

Auxiliary Handle/Depth Stop

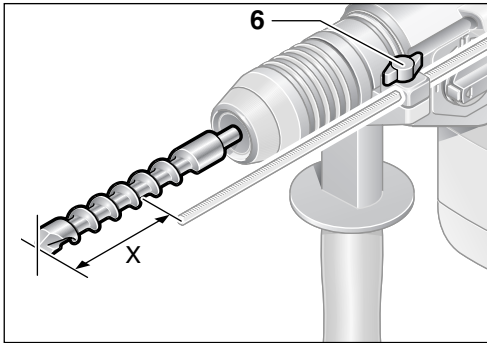
- Operate the machine only with the auxiliary handle 7.

Loosen the handle by turning to the left. Rotate the auxiliary handle 7 and adapt to the working position.

Afterwards tighten the handle again by turning in clockwise direction.

The drilling depth can be set with the depth stop 8.

For this, loosen wing bolt for depth stop adjustment 6, set the required drilling depth X and tighten the wing bolt again.



The ribbing on depth stop 8 must point upwards.

Starting Operation

Observe correct mains voltage: The voltage of the power source must agree with the voltage specified on the nameplate of the machine. Equipment marked with 230 V can also be connected to 220 V.

Switching On and Off

To **start** the machine, press the On/Off switch 3 and keep it depressed.

To **switch off** the machine, release the On/Off switch 3.

☞ For low temperatures, the machine reaches the full hammer/impact capacity only after a certain time.

This start-up time can be shortened by striking the drill/chisel against the floor one time.

Changing the Speed/Impact Rate

With the On/Off switch 3, the rotational speed/impact rate can be regulated between low and high speed/rate. Light pressure on the On/Off switch 3 results in a low rotational speed/impact rate, for example, for sensitive work such as hole starting. With increased pressure, the rotational speed/impact rate is increased.

Speed Table (GBH 4 DSC)

The electronic control enables continuous pre-selection of speed and impact rate in accordance with the material to be worked. Adjustment is carried out with the speed selector thumbwheel 9.

The constant electronic control keeps the pre-selected speed and impact rate nearly constant between no-load and load conditions.

The speed must be selected in accordance with the material.

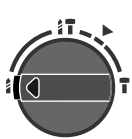
The values in the table are recommendations.

Area of Application	Impact Stop Switch	Adjustment Knob Position 9
Impact Drilling - Stone/Concrete		5-6
Chiselling		3-6
Drilling - Wood/Steel		1-6/4-6
Needle-descaling		3-6

Mode Selector Switch

- Operate the mode selector switch 4 only when the machine is at a standstill.

Press the release button 5 on the mode selector switch 4 and turn the switch to the desired position.



Drilling



Hammer drilling



Changing the Chiselling Position (Vario-lock)



Chiselling (rotation off)

Safety Clutch



If the tool insert becomes caught or jammed, the drive to the drill spindle is interrupted.

Because of the forces that occur, **always hold the power tool firmly with both hands and provide for a secure stance.**

If the drilling tool jams, switch the machine off and loosen the drilling tool. When switching the machine on with the drilling tool jammed, high reaction torques can occur!

Changing the Chiselling Position (Vario-lock)

The chisel can be locked in 36 positions. In this manner, the optimum working position can be set for each application.

Insert the chisel in the tool holder.

Press the release button 5 and turn the mode selector switch 4 at the same time to the “**Chisel (Vario-lock)**” position.

Turn the tool holder to the desired chiselling position.

Allow the mode selector switch 4 to latch in the “**Chiselling**” position. The tool holder is locked in this position.

The mode selector switch 4 must always be locked in the “Chiselling” position when chiselling.

Change the SDS-plus Tool Holder

Removal (see figure C)

Set the mode selector switch 4 temporarily to the “**Chiselling**” position (drill spindle locked).

Turn the locking sleeve 2 firmly counter clockwise to the stop and pull off the tool holder.

Mounting

Place the tool holder on the drill spindle.

Turn the locking sleeve 2 counter clockwise (to the left) and press back firmly at the same time until the tool holder latches and locks itself. Ensure that the tool holder is firmly seated.